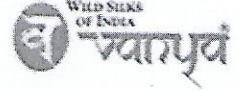


केन्द्रीय मूगा एरी अनुसंधान एवं प्रशिक्षण संस्थान  
CENTRAL MUGA ERI RESEARCH & TRAINING INSTITUTE  
केन्द्रीय रेशम बोर्ड CENTRAL SILK BOARD

वस्त्र मंत्रालय : भारत सरकार Ministry of Textiles: Govt. of India  
लाहदोईगढ़ Lahdoigarh, जोरहाट Jorhat- 785700, असम Assam



दूरभाष Phone: 0376-2350026, 2335513/ फेक्स Fax: 0376-2335528  
ई-मेल E-mail: cmerti@rediffmail.com/cmertilad.csb@nic.in  
वेब साईट Website: www.cmerti.res.in



NO.CSB/CMER&TI/Store/4(122)/2021-22/ 2524

Date : 24.01.2022

**TENDER NOTIFICATION**

**Sub: Inviting rate quotation for design and fabrication of Model eri chawki rearing house at Germplasm Conservation Centre, Chenijan, Jorhat - reg.**

This institute proposes to undertake design and fabrication of Model eri chawki rearing house at Germplasm Conservation Centre, Chenijan, Jorhat. Interested party may visit the site and submit their rate quotation in sealed envelope for the same. Items of the work to be taken up should be clearly mentioned in engineering method, as specified in the schedule of rate PWD/CPWD, Govt. of Assam in the quotation/tender.

The quotation/estimate should reach this office on or before **14-02-2022 (2.00 p.m.)** and the same will be opened on the same day at 3.00 p.m. in the presence of authorized representative of the parties. If the day remains closed due to any reason, then the tender will be received on the next working day upto 2 PM and will be opened on the date and hours.

Sl. No.	Particulars with specifications	Works to be attended with specifications
01	Design and fabrication of Model eri chawki rearing house	a. Mud filling to raise the rearing house from ground level (Area of 40'x38' area) b. Cement floor for the rearing house (Area of 40'x38' area). c. Cement pillars (standard size and length) supported with base cement wall both for rearing area and veranda on the entire cement floor area (Including veranda). d. Fixing of 6 wooden doors and 8 wooden windows (with mesh inside the windows). Refer blue print for the detailed plan.

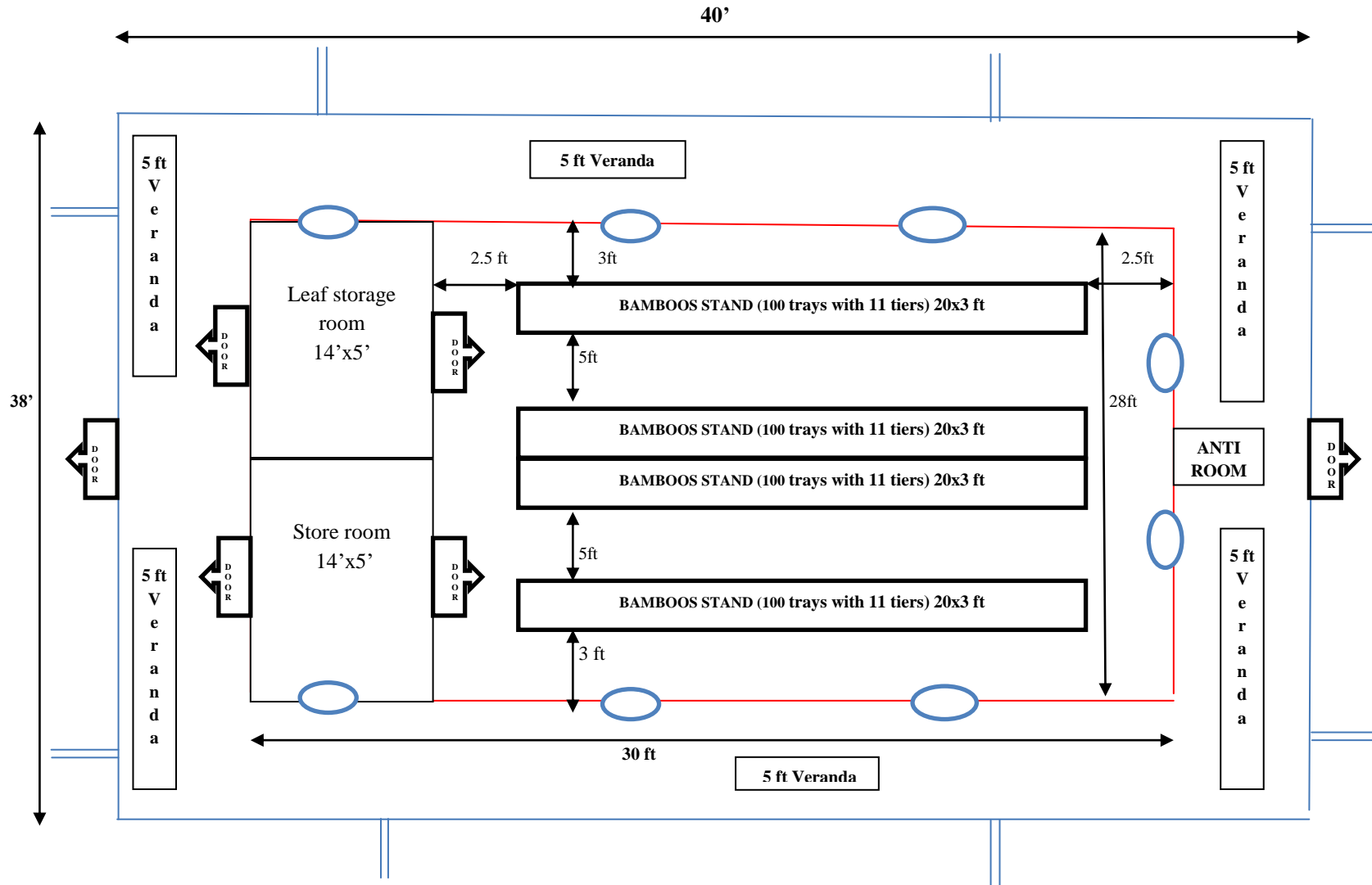
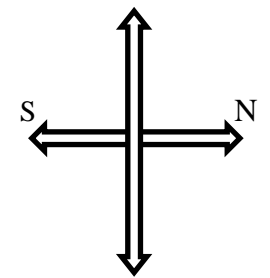
The quotation should be addressed to the Director, CMER&TI, CSB, Lahdoigarh-785700 in a sealed envelope super scribing "quotation for design and fabrication of Model eri chawki rearing house"

**The following terms and conditions may be noted:**

1. The quotation should be sent only by **Speed Post under sealed cover**.
2. The contractor must have a valid Registration Certificate of PWD/CPWD, Assam. A photocopy of the valid registration certificate should be submitted.
3. The income tax shall be deducted at source (TDS) from the bill. The copy of the PAN card must be submitted.
4. Validity period 180 days from the date of receipt of the tender.
5. The work should be completed within 30 days from the date of issue of order.
6. The quotation is received after the due date and time will be summarily rejected.
7. The Director reserves the right to accept or reject any or all quotations without assigning any reason whatsoever.

  
Director

**BLUE PRINT OF MODEL ERI CHAWKI REARING HOUSE**



○ Windows (4x2')